

www.pce-industrial-needs.com



PCE- Deutschland GmbH & Co. KG
Tel: +49 029 03 976 99-0
Fax: +49 029 03 976 99-29
info@warensortiment.de
www.warensortiment.de
PCE Group Ibérica S.L.
Tel: +34 967 543 548
Fax: +34 967 543 542
info@pce-iberica.es
www.pce-iberica.es
PCE Group Italia S.R.L.
Tel: + 39 0583 975 114
Fax: +39 0583 974 824
info@pce-italia.it
www.pce-italia.it



USER MANUAL

PCE-LSM

Contents:

1. Introduction	3
2. Completeness	3
3. Balance description	4
4. Keys and indicators	6
5. Technical data	7
6. Security rules.....	8
7. Preparations – working environment	9
8. Preparing a balance to work.....	10
9. Start-up	11
10. Operation principles	12
11. Balance checking	13
12. Adjusting a balance	13
13. Connecting a balance to a computer or a printer.....	15
14. Special functions description	<i>¡Error! Marcador no definido.</i>
15. Legend	17
16. Normal weighing.....	17
17. Weighing with tare.....	17
18. Weigh summing (rECIPE)	18
19. Pieces counting (PCS)	19
20. Autozeroing (AUtOtAr)	20
21. Serial port working mode selection (LPt).....	20
22. Serial port setting (rS232)	21
23. Date and time setting (dAtE) - optional.....	22
24. Percentage weighing (PErCEnt).....	23
25. Weighing unit selection (UnIt)	24
26. Function Menu customisation (ACTIV)	244
27. Maintenance and repairs of small defects	255
Declaration of Conformity	266

1. Introduction

AD series balances are destined for laboratory weighing where high accuracy is required. AD6F balances are designed for precise paint weighing in automatic paint pouring process. All balances are metrologically tested - calibration or legal verification certificate on demand. Legal verification is required for balances used in some applications: direct trade, pharmaceutical prescriptions, medical and pharmaceutical analysis, goods packing and others.

Balances with legal verification are mark with the following:

- protective seal placed on the casing mounting screw,
- notified body stamps and green M sticker placed on balance name plate.

Legal verification is valid for 3 years (until verification seals are not broken).

As weight indication depends on gravitational acceleration in a place of the installation, the manufacturer adjusts balance indication for specific gravity zone basing on delivery address. Gravity zone is specified with gravitational acceleration range given on a sticker placed at the back of a balance.

In case installation place is changed or balance indications are not accurate, it is advised to contact a nearest service in order to re-adjust the balance.

NACE classification: 33.20.31.

2. Completeness

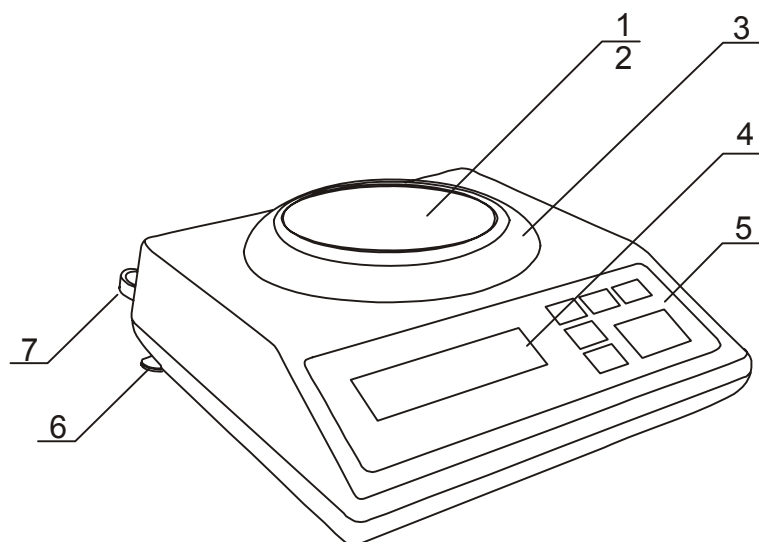
A standard set consist of:

1. Balance
2. Pan base and a pan
3. Feeder (ZN12V/500mA)
4. User manual
5. Guarantee Card

3. Balance description

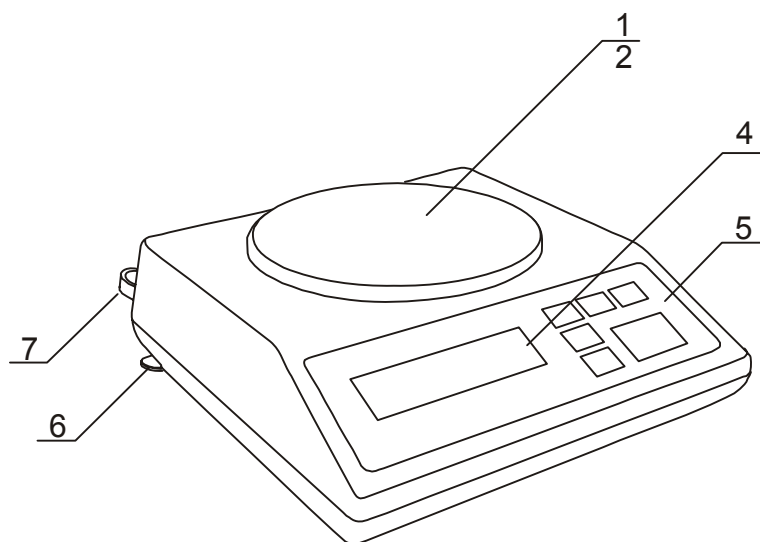
FRONT VIEW

Balances 50-AD600:



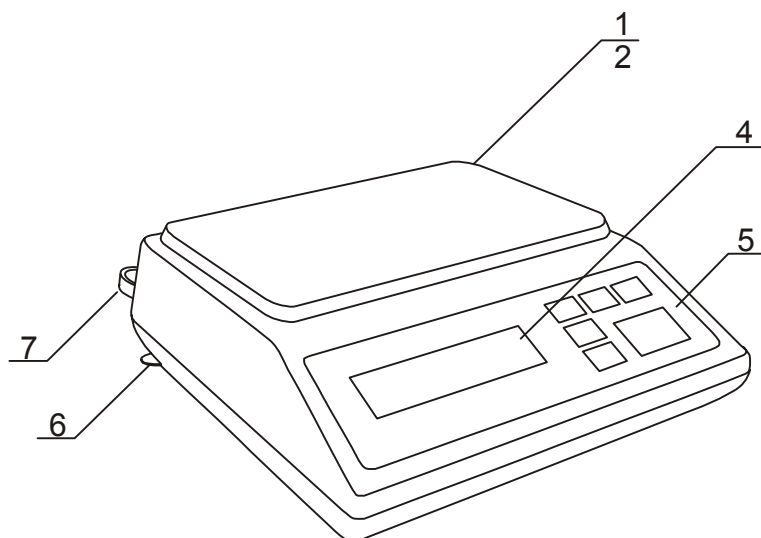
- 1 – pan
- 2 – pan support (under the pan)
- 3 – pan ring
- 4 – LCD display
- 5 – keys
- 6 – rotating legs
- 7 – water level

Balances AD510, AD1000-AD3000 and AD2.5-AD5:



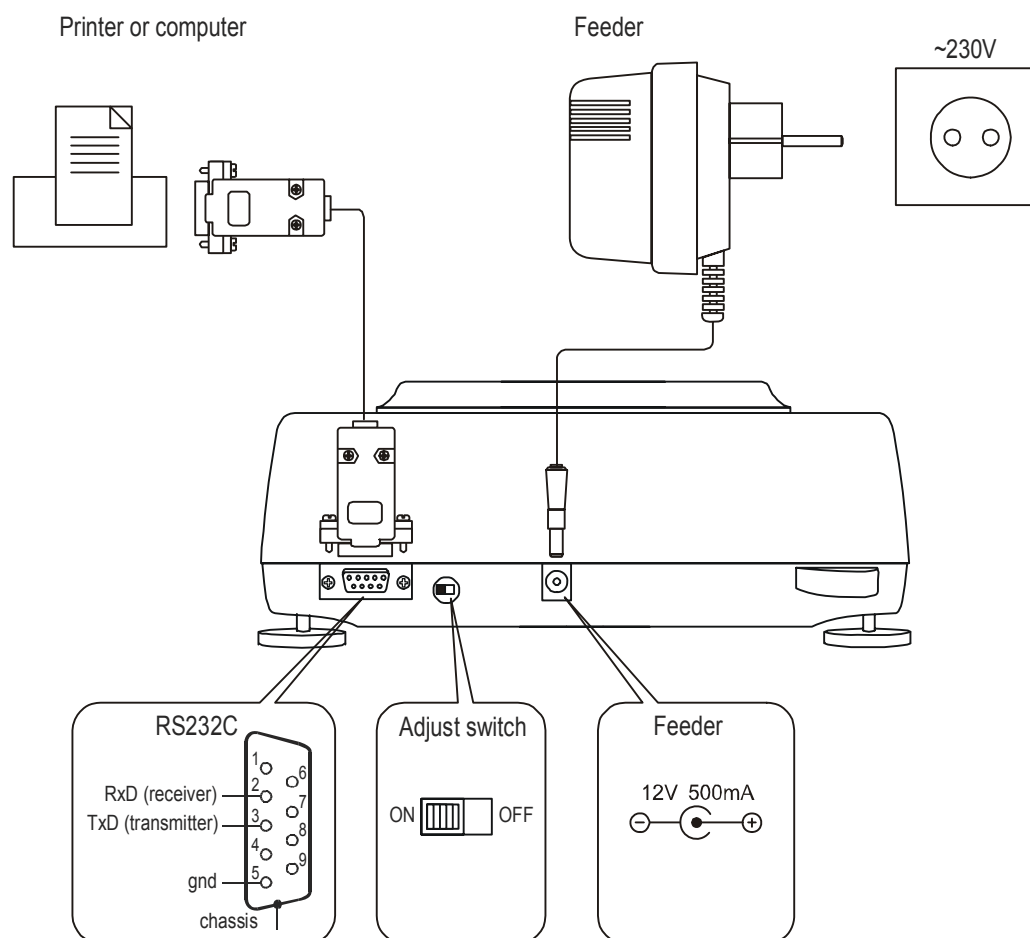
- 1 – pan
- 2 – pan support (under the pan)
- 3 – pan ring
- 4 – LCD display
- 5 – keys
- 6 – rotating legs
- 7 – water level

Balances AD6-AD12:

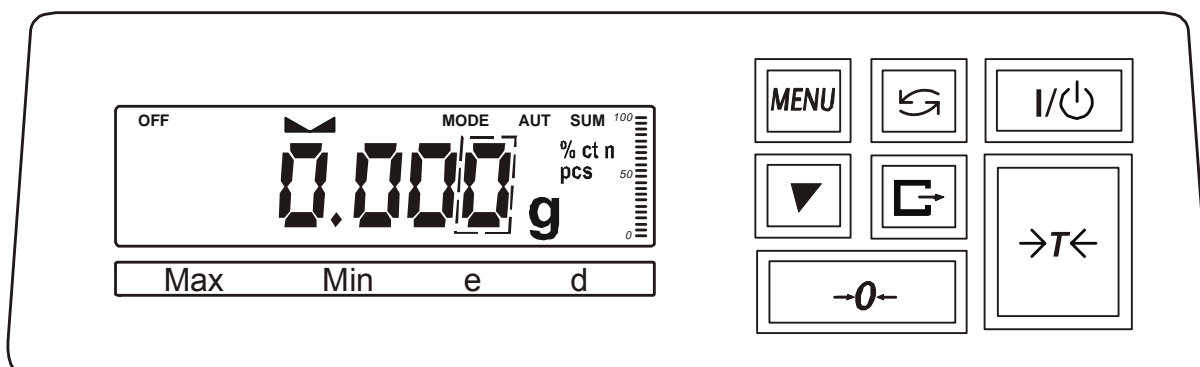


- 1 – pan
- 2 – pan support (under the pan)
- 3 – pan ring
- 4 – LCD display
- 5 – keys
- 6 – rotating legs
- 7 – water level

REAR VIEW



4. Keys and indicators



- | | |
|--------------------|---|
| →T← | - tare (subtract package weight from weighed mass), |
| →0← | - zeroing (balances for direct sale use only) |
| | - data output (print / transmission), |
| | - calibration/ navigation, |
| | - mode switch, |
| MENU | - menu, |
| I/⏻ | - switch-off (standby), |
| indicator | - result stabilisation, |
| bar indicator | - total load indicator (0-100%), |
| indicator OFF | - stand-by mode, |
| Max, Min, d, e, II | - metrologic parameters and accuracy class. |

Additional:

- | | |
|------|-------------------------|
| | - digit incrementation, |
| | - decimal point, |
| →T← | - next digit, |
| MENU | - end. |

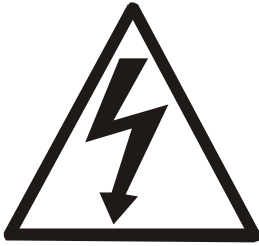
5. Technical data

Type	AD50	AD60	AD100	AD200	AD300	AD500	AD600
Capacity (Max)	50g	60g	100g	200g	300g	500g	600g
Min load (Min)	0,02g	0,02g	0,02g	0,02g	0,02g	0,02g	0,04g
Reading unit (d)	0,001g	0,001g	0,001g	0,001g	0,001g	0,001g	0,002g
Verification unit (e)	0,01g	0,01g	0,01g	0,01g	0,01g	0,01g	0,02g
Tare range	-50g	-60g	-100g	-200g	-300g	-500g	-600g
Accuracy class	II						
Working temperature	+18 ÷ +33 °C						
Weighing time	<8s						
Pan dimensions	φ115mm						
Balance base dim.	240x275x90mm						
Power	~230V 50Hz 6VA / =12V 160mA						
Balance weight	4kg						
Calibration weight	F2 50g	F2 50g	F2 100g	F2 200g	F2 200g	F1 500g	F2 500g

Type	AD250	AD510	AD1000	AD2000	AD3000
Capacity (Max)	250g	500g	1000g	2000g	3000g
Min load (Min)	0,2g	0,5g	0,5g	0,5g	0,5g
Reading unit (d)	0,01g	0,01g	0,01g	0,01g	0,01g
Verification unit (e)	0,05g	0,1g	0,1g	0,1g	0,1g
Tare range	-250g	-500g	-1000g	-2000g	-3000g
Accuracy class	II				
Working temperature	+18 ÷ +33 °C				
Weighing time	<5s				
Pan dimensions	φ115mm	φ150mm			
Balance base dim.	240x275x90mm				
Power	~230V 50Hz 6VA / =12V 160mA				
Balance weight	4kg				
Calibration weight	F2 200g	F2 500g	F2 1000g	F2 2000g	F2 2000g

Type	AD2.5	AD5	AD6(F)	AD10	AD12
Capacity (Max)	2500g	5000g	6000g	10kg	12kg
Min load (Min)	5g	5g	5g	5g	5g
Reading unit (d)	0,1g	0,1g	0,1g	0,1g	0,1g
Verification unit (e)	0,5g	1g (0,5g)	1g (0,5g)	1g (0,5g)	1g (0,5g)
Tare range	-2500g	-5000g	-6000g	-10kg	-12kg
Accuracy class	II				
Working temperature	+18 ÷ +33 °C				
Weighing time	<5s				
Pan dimensions	φ150mm		225x165mm	230x180mm	
Balance base dim.	240x275x90mm			270x305x120mm	
Power	~230V 50Hz 6VA / =12V 160mA				
Balance weight	4kg		4,5kg	7kg	
Calibration weight	F2 1000g	F2 2000g	F2 2000g	F2 5000g	

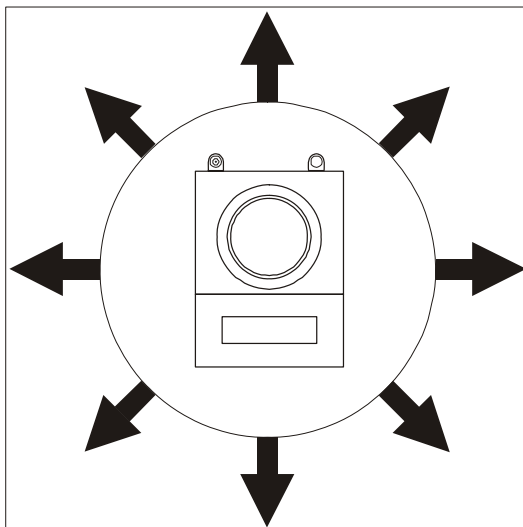
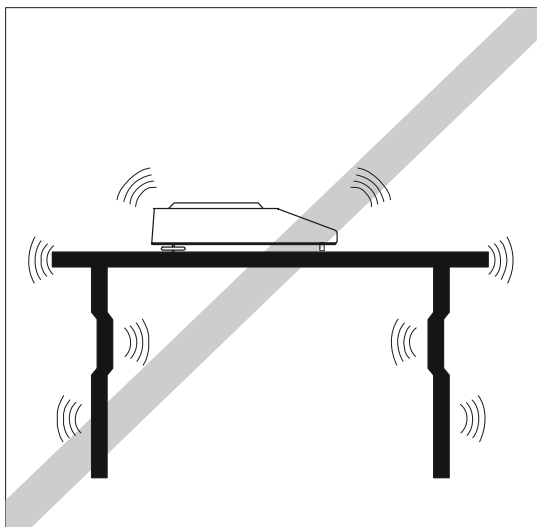
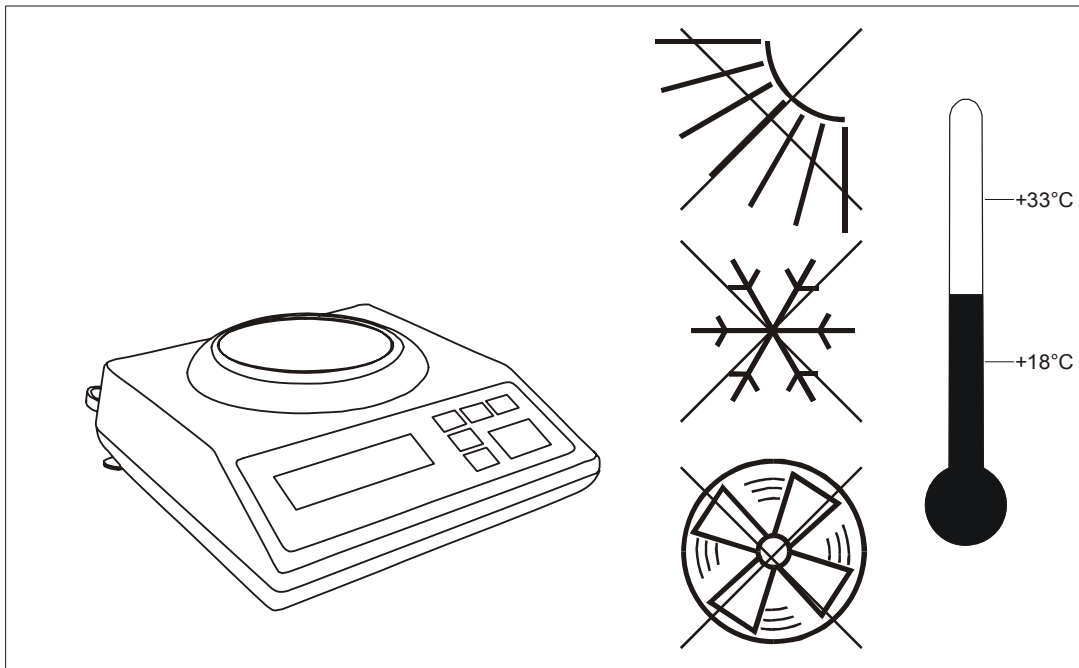
6. Security rules



To avoid electrical shock or damage of a balance or connected peripheral devices, it is necessary to follow the security rules below.

- All repairs and necessary regulations can be made by authorised personnel only.
- To avoid fire risk use a feeder of an appropriate type (supplied with a balance). Pay attention that supply voltage is compatible with specified technical data.
- Do not use a balance when its cover is opened.
- Do not use a balance in explosive conditions.
- Do not use a balance in high humidity.
- If a balance seems not to operate properly, plug it out of the mains and do not use it until checked by authorised service.

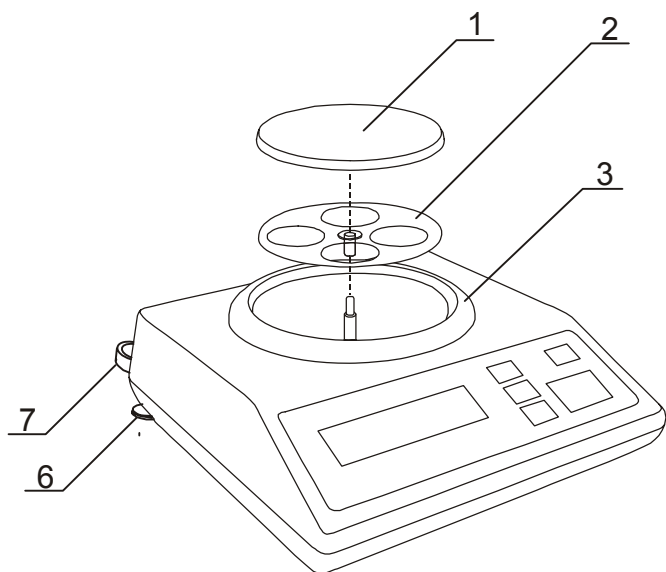
7. Preparations – working environment



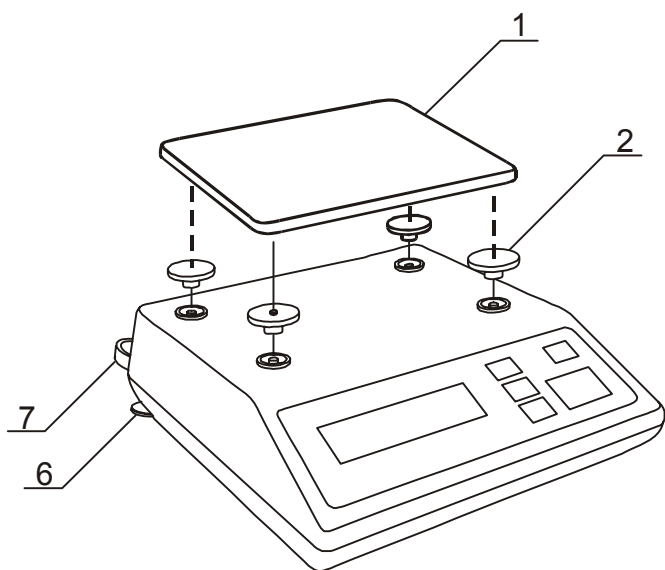
When choosing a location to set up the balance, remember the following rules to ensure proper working conditions and user-friendly operating:

- setup the balance on an even, flat surface leaving necessary room for easy access,
- maintain proper working temperature,
- avoid strong air drafts, vibrations, dust, big temperature changes and humidity over 90%,
- avoid locations with extreme heat radiation and electromagnetic or magnetic fields.

8. Preparing a balance to work



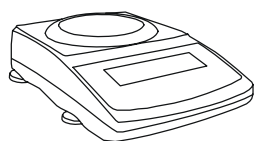
1. Take all content out of a package.
2. Place the balance on a stable ground not affected by mechanical vibrations and airflows.
3. Level the balance with rotating rear legs 6 so that the air bubble in water-level at the back of the balance is in the middle.
4. (AD50-AD500) Put a pan base 2 on the mandrel sticking out of a balance cover 3. Put a pan 1 on a pan base (pan ϕ 150mm is connected to pan base).
5. (AD10-AD12) Put elements 2 on the mandrel sticking out of a balance, put a pan 1.
6. Plug a feeder to the power socket at the back of the balance.



Moisture in the air may condense on the surface of the balance when transferred to the warmer environment. In this case leave the balance for at least 4 hours unplugged from the mains for conditioning to avoid wrong operating or damage of the balance.

Leave the pan empty and plug the feeder to the mains 230V. At the end of self-tests, the balance displays zero indication and is now ready to work

9. Start-up



C-1

...

C-5



AC-...





0.000g

After switching-on, the balance performs automatic self-test.

Program version

Zeroing.

Ready to work.

10. Operation principles

1. Weighed sample should be placed in the centre of the pan.
2. In direct sale use (d=e), make sure that zero indicator is displayed. If not, press $\square 0 \square$ key and wait until zero indication and zero indicator appears. In other balances the key does not operate.
3. The balance is equipped with a tare equal to its range. To tare the balance press $\rightarrow T \leftarrow$ key. Storing a tare value does not extend measuring range, but only subtracts it from a load placed on a pan. To make weight control easier and to avoid range overdrawing, the balance is equipped with a load indicator (graduated in percentages).
4. Weighing result should be read when the indicator " $\blacktriangle \blacktriangle$ " lights, which signals stabilisation of a result.
5. When the balance is not used but it is necessary to be ready to work immediately, it can be switched off by pressing I/⏻ key. The balance reading system is then switched off to "standby" mode (signalled by the indicator "OFF"). To switch the balance on press I/⏻ key. The balance is immediately ready to operate maximum accuracy (after self tests).
6. The mechanism of the balance is a precise device, sensitive to mechanical strokes and shocks.

Before transportation take off the pan (move it slightly and lift it up) and the pan base and preserve from any damages.



Do not overload the balance more than 20% of maximum load (Max).

Do not press a pan with a hand.

The balance should not be used to weigh ferromagnetic materials due to accuracy decrease.

11. Balance checking

As weight indication depends on gravitational acceleration, it is advised to check balance indication accuracy before and after series of measurement using any load with known weight.

To check a balance with legal verification use calibration weight as stated in Technical Data table with valid calibration certificate. In case permissible error is exceeded it is advised to contact the nearest service to calibrate a balance.

12. Adjusting a balance

If balance indications exceed permissible error it is necessary to adjust a balance. To calibrate a balance use calibration weight as stated in Technical Data table (or of better accuracy) with valid calibration certificate.



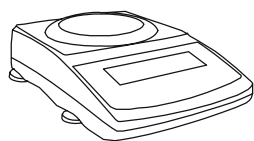
To adjust a balance it is necessary to break protective marks – please contact the nearest service for legal verification in a place of installation or the nearest Measurements Office.

Calibration report (CAL Prn):

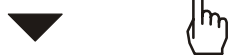
Data:	CALIBRATION REPORT

FACTORY NUMBER:	...
PROGRAM NUMBER:	(version, date)

Operation sequence:



0.00g MENU



CALibr →T←



CAL oFF

...

CAL on →T←



m₁ ▼



m₂ ▼



...

m →T←



LOAD



C



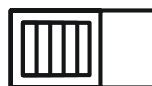
unLOAD



0.00g

Remove a protective mark from a calibration switch at the back of a balance.

OFF ↔ ON

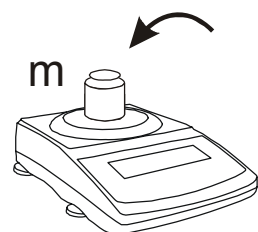


Switch to Pr ON position using small screwdriver (signalled on a display).

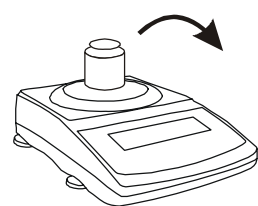
Press MENU to call special functions. Press →T← to choose CALibr and CAL on.

Press ▼ several times to select desired weight value. It is advised to use as great weight value as possible.

Press →T← to accept.



When LOAD appears put the weight on a pan.



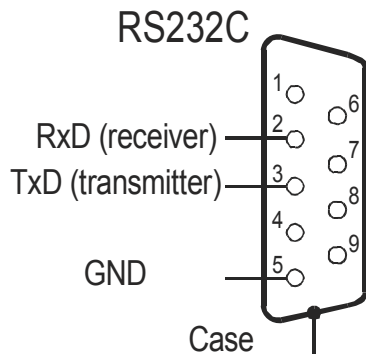
Wait.

When unLOAD appears take off the weight.

Switch to Pr OFF position using small screwdriver (Pr ON disappears).

13. Connecting a balance to a computer or a printer

The balance may send data to a computer or a printer via RS232C interface.



When cooperating with a computer, the balance sends weighing result after initialising signal from a computer or after pressing \bar{E} key.

When cooperating with the balance, a computer should be equipped with a program that enables receiving and processing data from the balance.

AXIS offers computer programs to cooperate with balances. Demo versions and program descriptions are available on the website: www.axis.pl:

- RS 232C Test – free serial port testing program,
- ProCell – residual program for cooperation with Microsoft EXCEL and other Microsoft Windows applications (demo version).

Detailed information for programmers:

The balance sends data with a following method:

Computer → Balance: initiation signal S I CR LF (53h 49h 0Dh 0Ah),

Balance → Computer: weighing result in the following format:

(16Bytes, LONG protocol - 8bits, 1stop, no parity, 4800bps),

Bytes description:

- 1 - „-„ mark or space
- 2 - space
- 3□4 - digit or space
- 5÷9 - digit, decimal point or space
- 10 - digit
- 11 - space
- 12 - k, l, c, p or space
- 13 - g, b, t, c or %
- 14 - space
- 15 - CR
- 16 - LF

14. Special functions description

All balances, beside basic functions like weighing and tare, are equipped with the set of additional functions.

Standard set of special functions include:

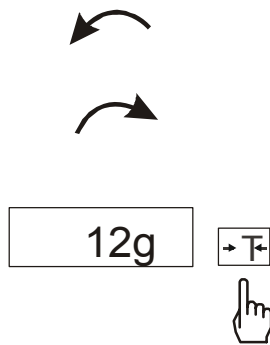
- pieces counting,
- autozeroing,
- serial port working mode setting,
- serial port parameters setting,
- percentage weighing,
- weighing unit change (grams / carats / pounds)
- prescriptions making
- calibration options

Other special functions may be enabled as an option on customer request (described in additional brochure when ordered).

For easy access to the most frequently used functions, use *ACt/V* function to select functions to be displayed in functions menu.

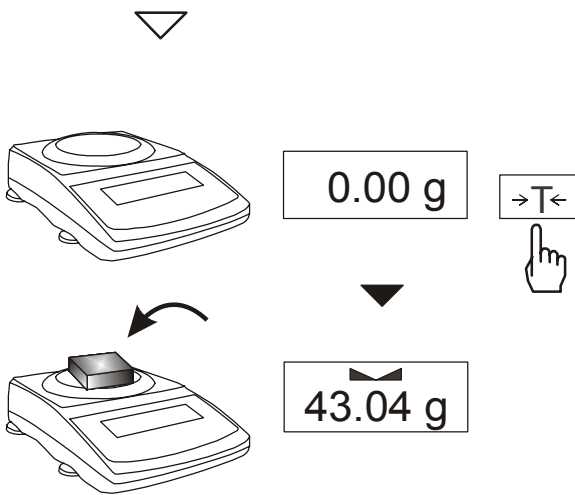
When special function is active, *MODE* indicator is displayed.

15. Legend



- loaded pan
- unloaded pan
- press a key when ... (on left)
- forced change
- automatic change

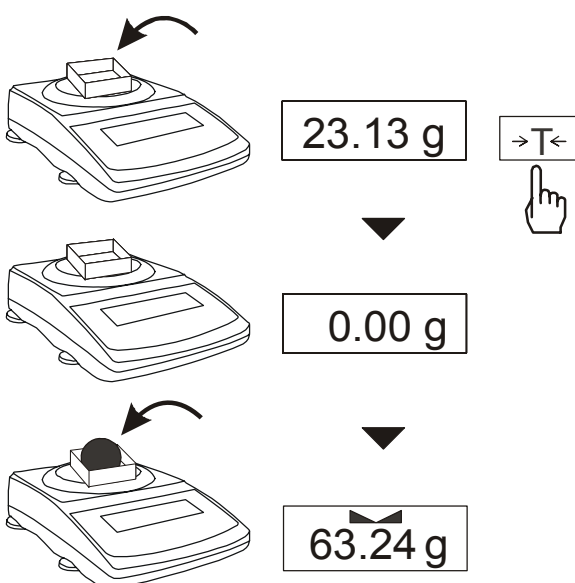
16. Normal weighing



When a pan is empty and indication is different than zero press →T← key.

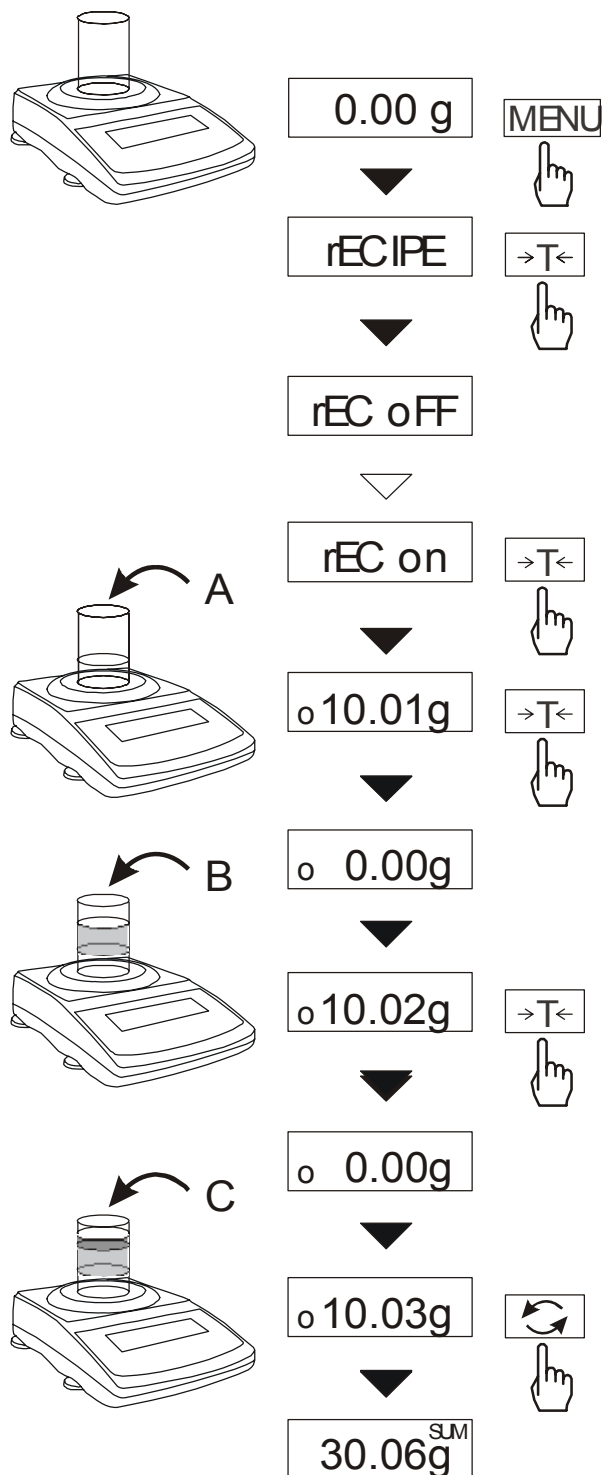
Weighing result should be read when the indicator "▲▲" lights.

17. Weighing with tare



A balance is equipped with tare equal to its range.

18. Weigh summing (rECIPE)



This function enable to weigh few ingredients in one container and to display aggregated sum of all ingredients.

The function has the following options:

- rEC oFF – leave the function and display aggregated sum of all ingredients,
- rEC on – activate the function,
- rEC Con - return to previous series of weighing.

Before weighing each ingredient (A, B, C, etc.) remember to tare the balance.

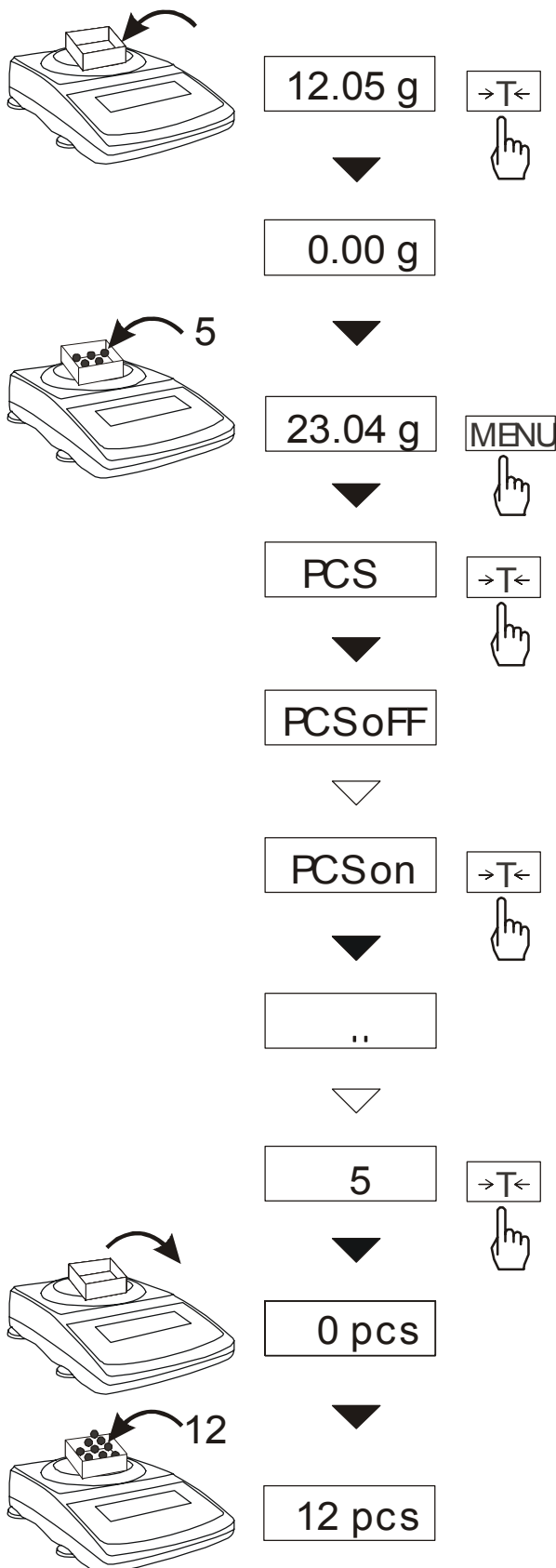
To read aggregated sum of all previously weighed components press ↻ key or use rEC oFF option. To return to ingredients weighing press ↻ key again.

Note:

When rECIPE function is active, the sign o is displayed at the left of the display.

When rEC oFF option was used, SUM indicator disappears after pressing →T← key.

19. Pieces counting (PCS)



This function enables to count identical pieces, e.g. turnbuckles or buttons. A measurement is performed in two phases:

- first phase - single piece weight calculation on the basis of defined pieces amount (5, 10, 20, 50, 100, 200 or 500 pieces),

- second phase – pieces counting.

It is advised that single piece weight is not less than one reading unit and sample weight used in first phase is bigger than 100 reading units.

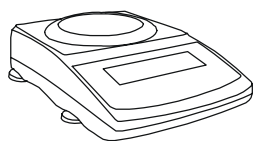
To leave function press F key and then with →T←, key chose PCS and PCS oFF .

Note:

Err-3 communicate signalises that a sample was not put on a pan. The same communicate appears if single piece weight is less than one reading unit (it is possible to count pieces but measuring error is bigger). To chose previously used pieces amount select “..” in first phase.

During pieces counting →T← key function does not change.

20. Autozeroing (AUtOtAr)



0.01g MENU



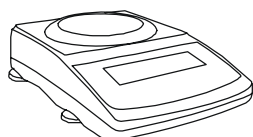
AUtOtAr →T←



AUt oFF



AUt on →T←



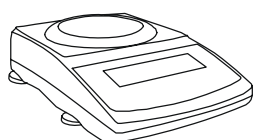
AUT 0.00g

When AUtotAr function is activated, a balance automatically keeps zero indication if a pan is empty or if zero indication was acquired by pressing →T← key.

To leave the function press MENU key, then with →T← key chose AUtOtAr and AUt oFF.

Note: Autozeroing function is activated automatically for 10 min. after switching-on

21. Serial port working mode selection (LPt)



0.00g MENU



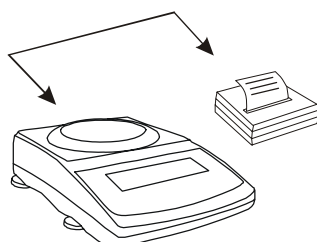
LPt →T←



LPt oFF




LPt on →T←



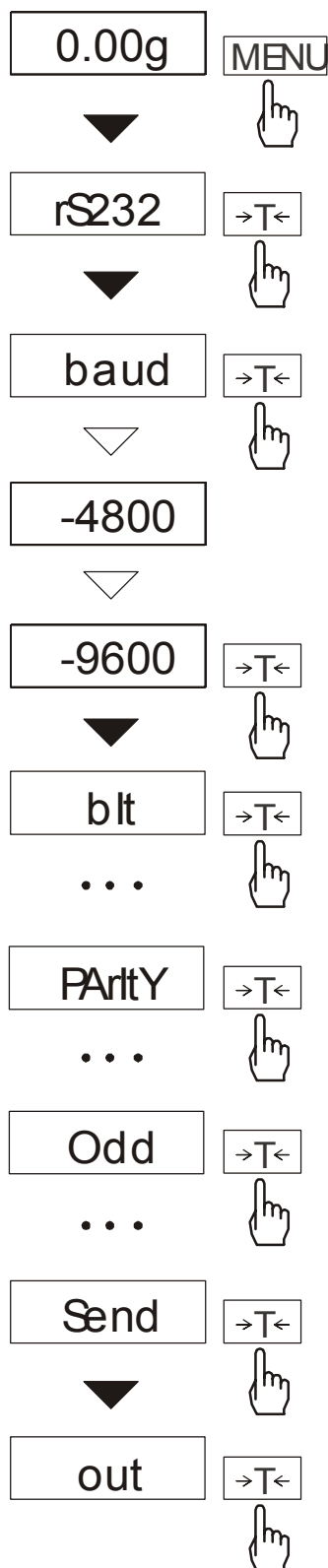
0.00g

This function enables to select serial port working mode.


When function is active, weighing result with successive number is printed automatically after putting and replacing weighed sample (after result stabilisation).

In order to change working mode (to work with a computer) press MENU key, then with →T← key chose LPt and LPt oFF. Weighing result is send only after pressing  key and result stabilisation (without successive measurement number).

22. Serial port setting (rS232)



The function enables to set the following transmission parameters (standard parameters underlined):

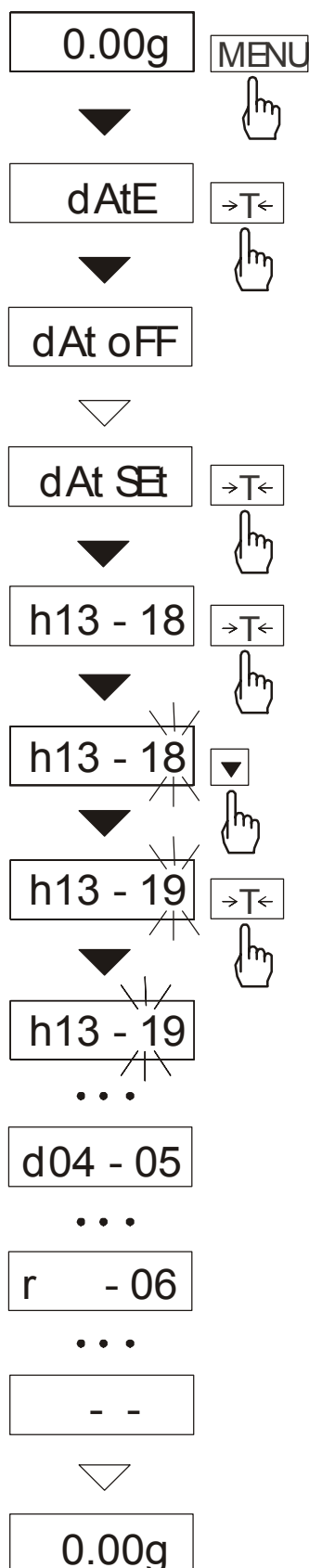
- transmission speed (bAud: 1200, 4800, 9600),
- the number of bits in a byte (bit: 7, 8).
- parity control (PARtY: 0, 1; Odd: 0, 1),
- network number when working in multistand computer system (when working as a single scale the value should be "0")
- continuous transmission – without using  key, approx. 10 results per second (SEnd: 0, 1).

Default parameters underlined.

To set desired transmission parameters activate rs232 function, choose appropriate parameter and press →T← key to accept needed parameter value. The example at the left presents how to set transmission speed value to 9600bps.


To leave the function choose out option.

23. Date and time setting (dAtE) - optional



This function enables to set current date and time of internal balance clock and enable/disable date and time on weighing result printouts.

Options:

- dAt oFF – deactivate date printout,
- dAt on – activate date printout (using  key),
- dAt SEt – change date and time.

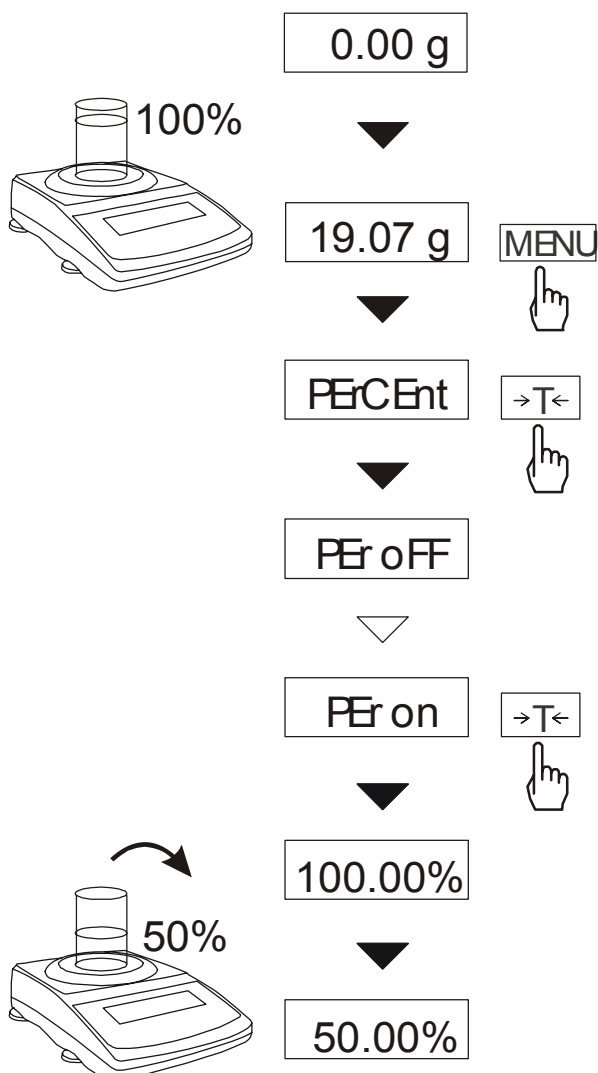
The example at the left presents how to set current date and time.

Time format: h gg – mm
(g - hour, m - minute)

Date format: d mm – dd
(m - month, d - day).

Year format: r - rr
(r - two last digits of a year).

24. Percentage weighing (PErCEnt)



This function enables to display weighing result as a percentage of a reference sample.

A measurement is performed in two phases:

- first phase – weighing a reference sample,
- second phase – measuring specific sample as a percentage of the reference sample.

Weighing result is displayed in different format, depending on the reference sample weight value. For values of 0÷3,5% of weighing range the format is “100.0”, for values 3,5÷35% it is “100.00” and 35÷100% - “100.00”

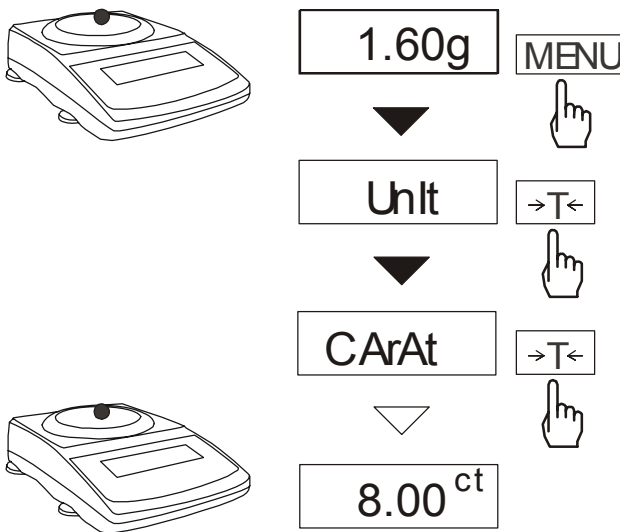
The function has the following options:

- PEr oFF – disables the function,
- PEr on – stores current indication as 100% and activates percentage weighing,
- PEr Con – activates percentage weighing with the previous reference sample value.

Note:

When the function is activated **→T←** key function does not change.

25. Weighing unit selection (UnIt)

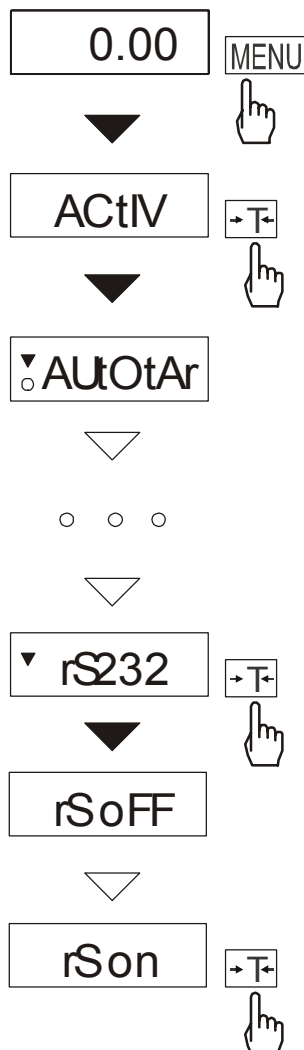


Use this function to choose weighing unit:

- carats (1 ct= 0,2 g),
- pounds (1 lb=0,454kg),
- grams.

The example at the left presents how to set carats as weighing unit.

26. Function Menu customisation (ACtIV)



This function enables to select special functions that will be displayed after pressing MENU key. Easy access to the most useful functions will shorten operation time and make work more comfortable.

To differ ActIV function from the function menu, ▽ indicator is displayed at the left side of the display.


Operation sequence shown on the picture, presents how to add RS232C parameters setting function (rS232) to the Function Menu.

To remove a function from the Function Menu choose rS oFF in the last operation.

27. Maintenance and repairs of small defects

1. A balance should be kept clean.
2. Take care that no dirt gets between a casing and a pan. If found any, remove a pan (lift it up), remove dirt and then replace a pan.
3. In case of improper operation caused by short-lasting power supply decay, unplug a balance from the mains and then plug it again after few seconds.
4. To calibrate a balance contact your nearest service (it is necessary to make legal verification again)
5. It is forbidden to make any repairs by unauthorised persons.
6. To repair a balance, please contact our nearest service.

Error communicates:

Communicate	Possible cause	Remedy
C-1 ... 6 (over 1 min.)	selftests failed	if displayed more than 1 minute, contact an authorised service
L	pan missing	put the pan on
	mechanical damage	contact an authorised service
H	overloading	remove the load from the pan
<i>Err-b</i>	the scale was switched on with loaded pan	remove a load from the pan
	mechanical damage of the load cell	contact an authorised service
<i>Ad-...</i>	unstable weighing indications	press F key, contact an authorised service
 indicator does not appear	unstable ground vibrations air flows	place the scale on a stable ground not affected by mechanical vibrations and airflows
	scale is damaged	contact an authorised service
-----	taring in progress	as above

Declaration of Conformity

We:

AXIS Spółka z o.o. 80-125 Gdańsk, ul. Kartuska 375B

confirm with all responsibility that scales:

*AD50, AD60, AD100, AD200, AD300, AD500, AD600, AD250, AD510,
AD1000, AD2000, AD3000, AD2.5, AD5, AD6, AD6F, AD10, AD12*

marked with CE mark comply with the following:

1. EN 55022:2000 standard Limits and methods of measurement of radio disturbance characteristics of information technology equipment and IEC 61000-4-3 Electromagnetic compatibility (EMC) - Part 4-3: Testing and measurement techniques - Radiated, radio-frequency, electromagnetic field immunity test harmonized with the Council Directive 89/336/EEC (Electromagnetic compatibility directive).



Additionally scales with the following markings on the name plate:

- a sticker with two-digit number of the year in which the mark was affixed and the number of the Notified Body responsible for EC verification
- a green metrology sticker with "M" mark
- a protective seal affixed by the Notified Body

comply with THE requirements stipulated on the EC Type-Approval Certificate No. PL 04 030 and was verified to comply with:

2. EN 45501 Metrological aspects of non-automatic weighing instruments harmonised with the Council Directive 90/384/EEC amended with 93/68/EEC.

Additional information

- Conformity evaluation for the Council Directive 73/23/EEC and 89/336/EEC were carried out by Laboratorium Badawcze Oddziału Instytutu Elektrotechniki in Gdańsk, accredited by PCA
- EC Type-Approval Certificate No. PL 04 030 was issued by Główny Urząd Miar in Warsaw (Notified Body no. 1440).

Gdańsk, 23.01.2007 r.

Per pro Director of AXIS Sp. z o.o.:

Production Manager

Jan Kończak



Signature

Notes

In this direction will find a vision of the measurement technique:
<http://www.industrial-needs.com/measuring-instruments.htm>

NOTE: "This instrument doesn't have ATEX protection, so it should not be used in potentially explosive atmospheres (powder, flammable gases)."